

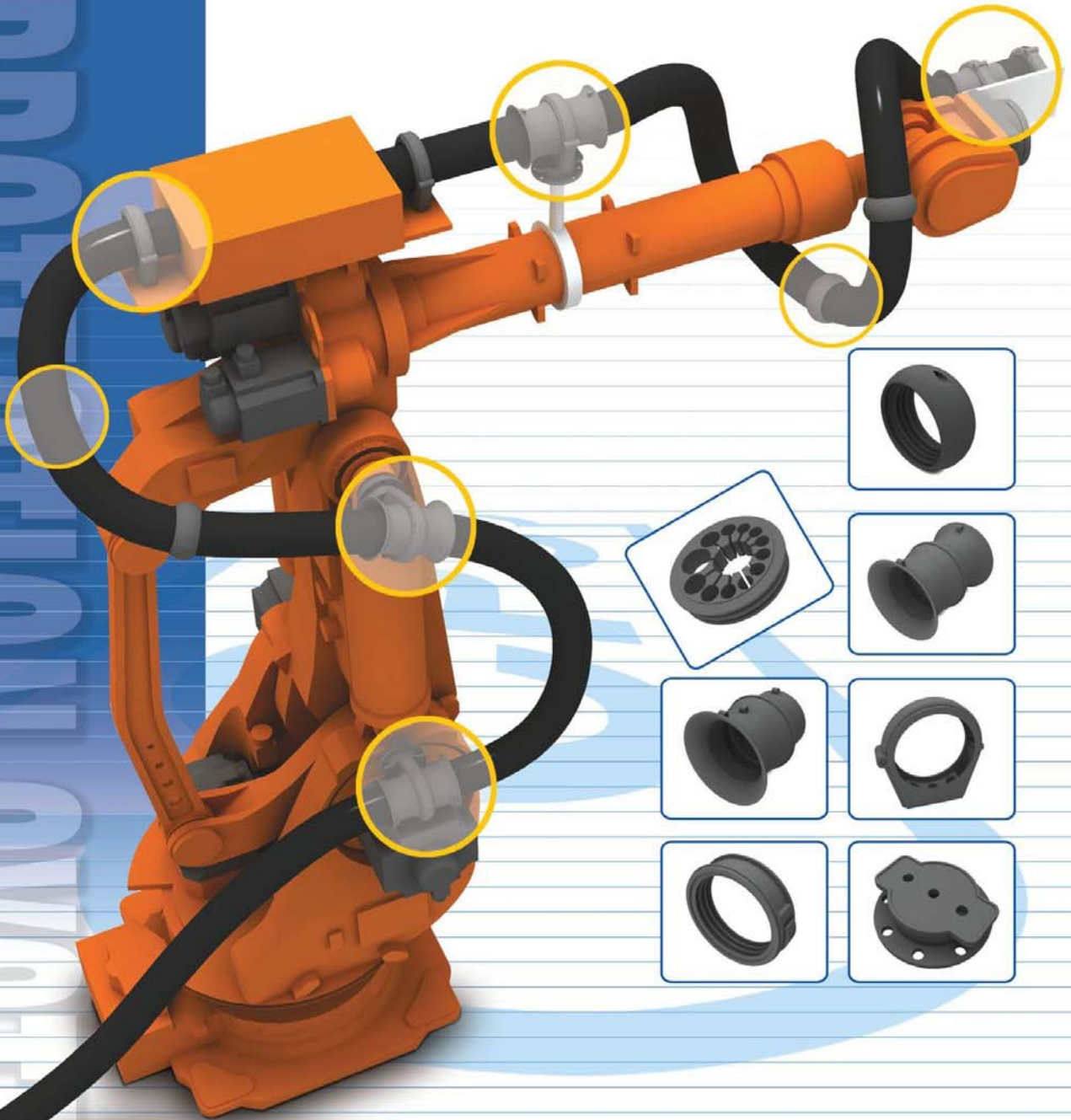
NEW

All the information contained in this catalog is not binding and may be changed without notice.

2005

Using material of high quality

ROBO-KIT[®]



www.cpsystem.co.kr

ROBO-KIT® Characteristics

Product	Order No.	Dimensions in mm				Outside Diameter
		Conduit Size	Width	Height	Length	
	RKT	56	40.0	91.5	-	91.5
		70	45.0	105	-	105
	RKC	56	30.0	115	118.0	100
		70	34.0	138	135.5	126
	RKS	56	106	105.5	105.6	105.5
		70	130	120	124.0	120
	RKD	56	130	105.5	105.6	105.5
		70	154	120	124.0	120
	RKRC	56	30.0	86.0	-	86.0
		70	30.0	104	-	104
	RKR	56	98.0	42.0	-	98.0
		70	98.0	42.0	-	98.0
	VCG	56	15.0	67.2	-	67.2
		70	16.5	84.0	-	84.0
Product	Order No.	Inner Diameter	Outer Diameter	Bending R	Packing meter/roll	
	PAR-56	56.3	67.2	110	30	
	PAR-70	70	82.5	160	10	

ROBO-KIT® Applications



Cable Protection Systems for Robo-Kit

INNOVATION

CPS Products List



❖ CPS CABLECHAIN

- CLEANROOM Type
- SYSTEM Type
- CIRCULAR Type
- MEDIUM Type
- SLIGING SYSTEM Type
- ENCLOSE Type
- MINI Type
- HEAVY Type



❖ CPSFLEX

- CPS
- POH
- PES
- CPSS
- PAH
- PAR
- PPS
- PPSS



❖ CPSFIX

- TNC TWC TAC TIC SNIC SICC
- TNCL TWCL TA CL TIPC TIS TNOG TWOC
- SNC SAC SWC TNCC TICC FEC FCG
- TVC TYC TTC FHS FH FLN FWH TNSC ...

* Further information on specific product categories, please refer relevant catalogs.

CPS CP SYSTEM CO., LTD

HEAD OFFICE & FACTORY

#160-2, Allak2-dong, Dongrae-gu, Busan, Korea.

Tel: 82-51-868-4356 / Fax: 82-51-868-4358

<http://www.cpsystem.co.kr>

E-mail: cpsystem@unitel.co.kr

cps@cpsystem.co.kr

"Сервотехника" ЗАО
125130 Москва

Выборгская ул., д. 22

Тел.: (095) 797-88-66

Факс: (095) 450-00-43

E-mail: info@servotechnica.ru

www.servotechnica.ru

INNOVATION

Cable Protection Systems for Robo-Kit

Cable Protection Systems for Robo-Kit

➤ RKD-56/ RKD-70

Tube ball joint sleeve

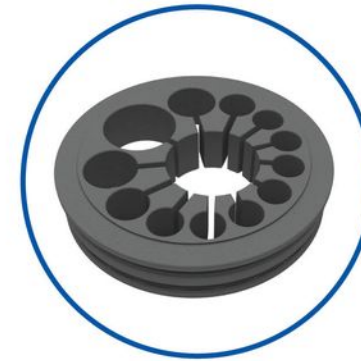
RKD in combination with RKC is used for guiding or fixing tubes in robotic application. Especially, RKD decentralizes the mechanical stress on the tube in both way.



➤ VCG-56/ VCG-70

Cable end finishing unit

VCG is the unit for fixing the end part of cables. And it is inserted into RKC in combination with RKRC. It reduces the movement of cables and is comprised of diverse hole sizes according to the cables sizes.



➤ RKTP-56/ RKTP-70

Abrasion protection unit

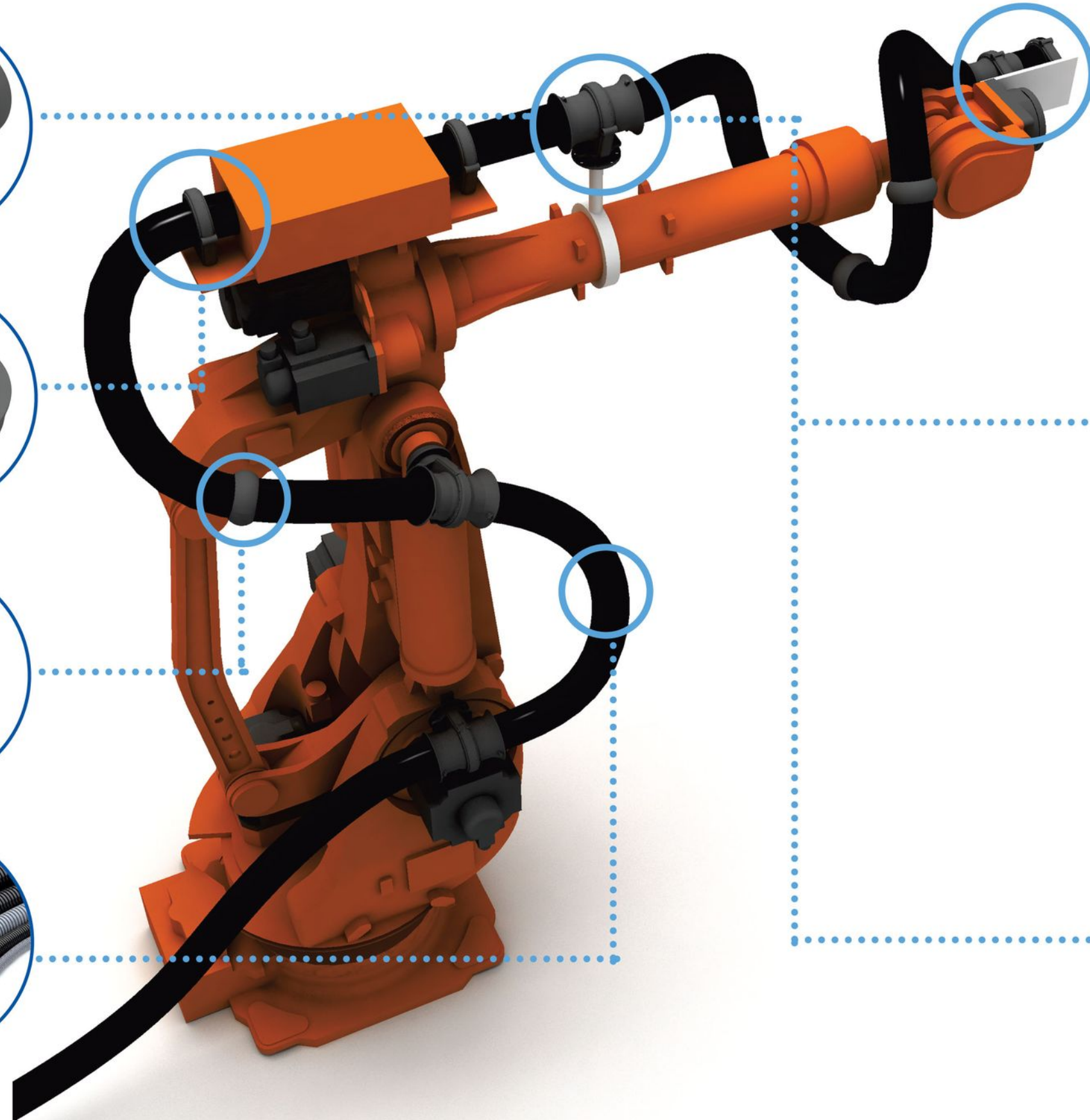
CRA is made of reinforced Polyamid6. This unit is the insert of tube to protect from the abrasion, and prolongs the life time of tube. Also, it is detachable handily to make it easy to maintenance.



➤ CPSFLEX-PAR

Corrugated flexible tube

CPSFLEX PAR is made of high quality of Polyamid12 and especially applicable in Robot for the flexibility. It has IP68 protection approved and it can bear the temperature range -50°C ~ +95°C. It can shorten the repairing time, since it is easy to cut off the length as needed.



➤ RKS-56/ RKS-70

Tube ball joint

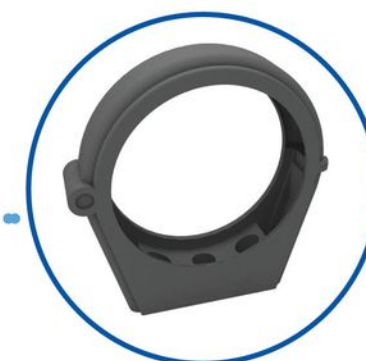
RKS in combination with RKC strengthens the flexibility on the head and specific parts of robot. It decreases the load from the mechanical strength.



➤ RKC-56/ RKC-70

Tube clamps

RKC tube clamps in combination with RKD, RKS and RKRC, is used for guiding or fixing tubes in robotic application. And its solid design enables RKC to bear high mechanical strength.



➤ RKRC-56/ RKRC-70

Strain relief insert

RKRC is for fixing VCG with tube and finishing the end part of tube. It is used in combination with RKC, and it protects cables by rotating within RKC.



➤ RKR-56/ RKR-70

Rotating unit

RKR in combination with RKC, reduces the mechanical stress on the robot and tube by rotating unit. RKR is used with RKD and RKS in combination.

