

NEW

All the information contained in this catalog is not binding and may be changed without notice.

www.cpsystem.co.kr

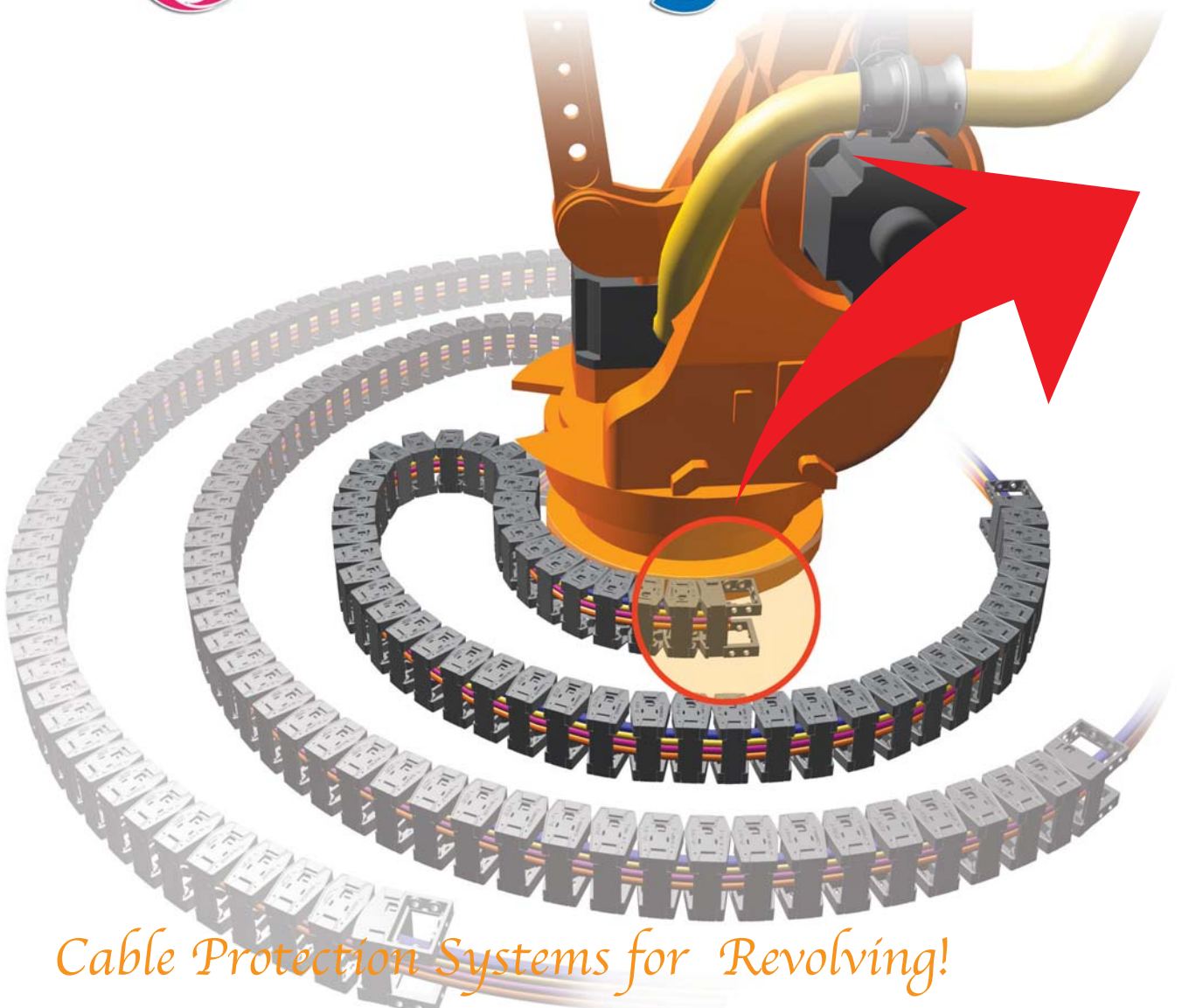
2007.10

Revolving chain[®]



CABLE PROTECTION SYSTEMS

Revolving chain[®]



Cable Protection Systems for Revolving!

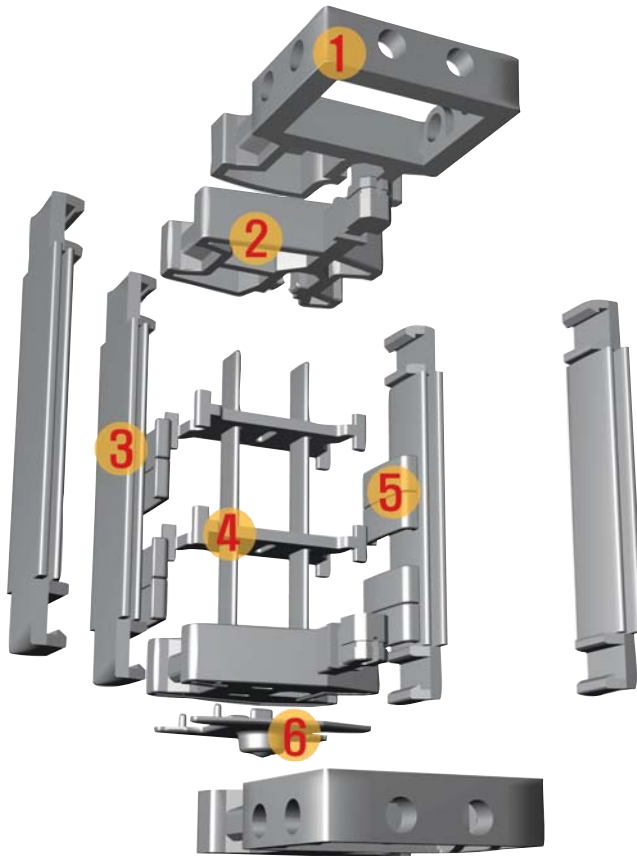
Revolving chain can be applied for protection cables to the rotating machine or robot, designed by not bothering the motion and directivity of cable, and protect the cables safely from outer dangerous factors.

FREE BENDING RADIUS PROCESS can control the bending radius and reverse bending radius of cable chain automatically and this new concept cable chain, maximize the mobility of bending radius, is developed by CP SYSTEM's own advanced technique and also already have the patent for this technique.

And this is next generation cable chain which minimize the dust and noise by the unique band connection method, can be applied to the working place which request the regulation of dust and noise.

This Revolving chain can protect the cables more safely and improve the productivity very much.

Part name and Description



1 Easy Bracket
The edge part of fixing cable chain, increased the convenience and efficiency by the front, right and left fixing cable chain method.

2 Side Band
Our own technical development part, this side band can be connected whatever you want and the bending connection method can reduce the dust and noise.

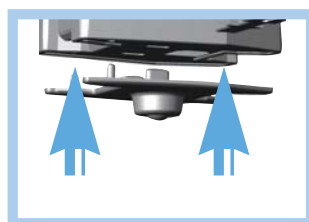
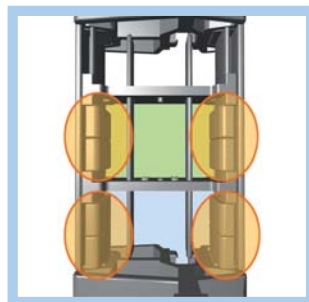
3 Frame
The function of frame is connecting and upholding the side bands, and prevent the friction with cable by the smoothing the inside of frame.

4 Divider & Separator
These items can separate the inserted cables and use the inner space of cable chain more efficiently and prevent the damage of skin and break down after friction between cables.

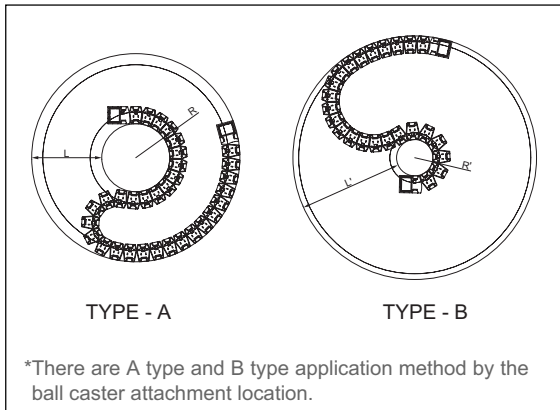
5 Stoper
This item control the position of divider and fixing the location, it can be applied to the frame accordingly by the width.

6 Ball Caster
It is attached at the bottom of side band, help the movement of cable chain smoothly and make it possible of stable motion of chain to its requested direction by friction with ball instead of direct friction with side band.

This ball caster should be applied at the first link after end bracket and every 8 links(the minimum).



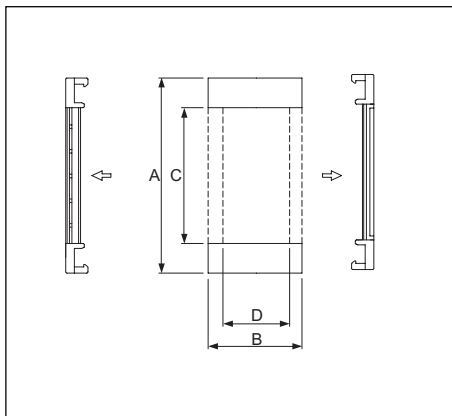
Chain cross section



*RV020CR will be launching on December.

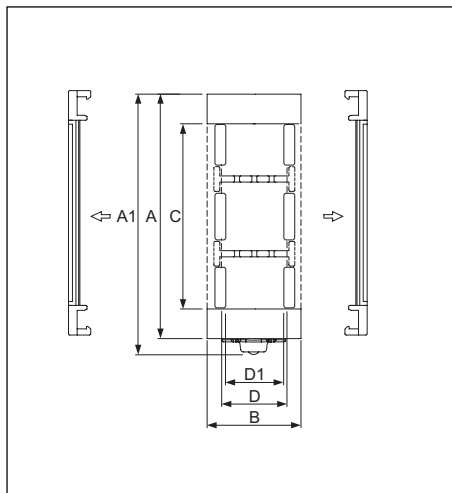
Chain Type	A	B	C	D
RV020CR.16	30	28	16	22
RV020CR.27	41		27	
RV020CR.37	51		37	
RV020CR.47	61		47	
RV020CR.67	81		67	
RV020CR.77	91		77	
Type A: minimum distance(L):	130	Minimum reverse bending (R): 40		
Type B: minimum distance(L'):	150	Minimum reverse bending (R') : 30		

RV020CR



Chain Type	A(A1)	B	C	D(D1)
RV028CR.035	59 (65)	38	35	28(25)
RV028CR.055	79 (85)		55	
RV028CR.075	99 (105)		75	
RV028CR.100	124 (130)		100	
RV028CR.125	149 (155)		125	
Type A: minimum distance(L):	170	Minimum reverse bending (R): 120		
Type B: minimum distance(L'):	200	Minimum reverse bending (R') : 50		

RV028, 040, 048CR



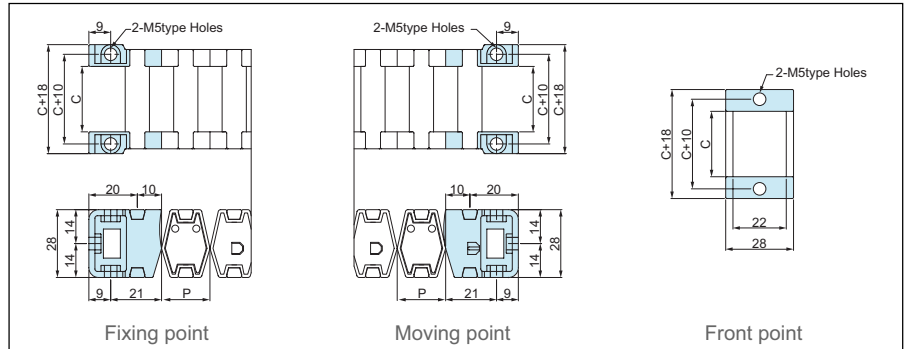
Chain Type	A(A1)	B	C	D(D1)
RV040CR.050	78 (86)	52	50	40(37)
RV040CR.075	103 (111)		75	
RV040CR.100	128 (136)		100	
RV040CR.125	153 (161)		125	
RV040CR.150	178 (186)		150	
RV040CR.175	203 (211)		175	
RV040CR.200	228 (236)		200	
Type A: minimum distance(L):	230	Minimum reverse bending (R): 120		
Type B: minimum distance(L'):	630	Minimum reverse bending (R') : 70		

*RV048CR will be launching on December.

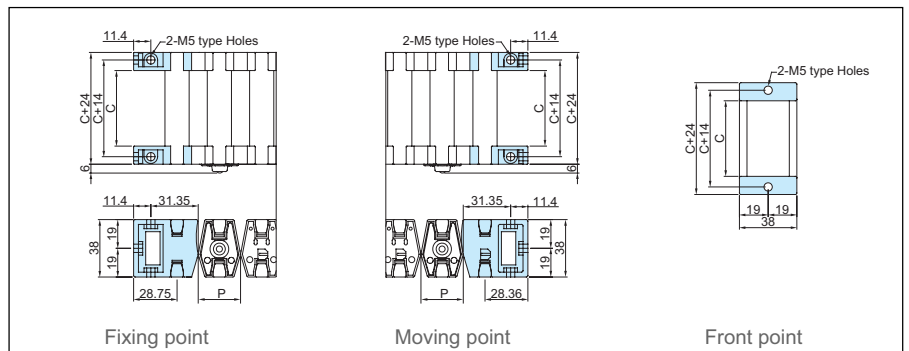
Chain Type	A(A1)	B	C	D(D1)
RV048CR.050	78 (86)	65	50	53(50)
RV048CR.075	103 (111)		75	
RV048CR.100	128 (136)		100	
RV048CR.125	153 (161)		125	
RV048CR.150	178 (186)		150	
RV048CR.175	203 (211)		175	
RV048CR.200	228 (236)		200	
Type A: minimum distance(L):	300	Minimum reverse bending (R): 150		
Type B: minimum distance(L'):	450	Minimum reverse bending (R') : 90		

Bracket Dimensions

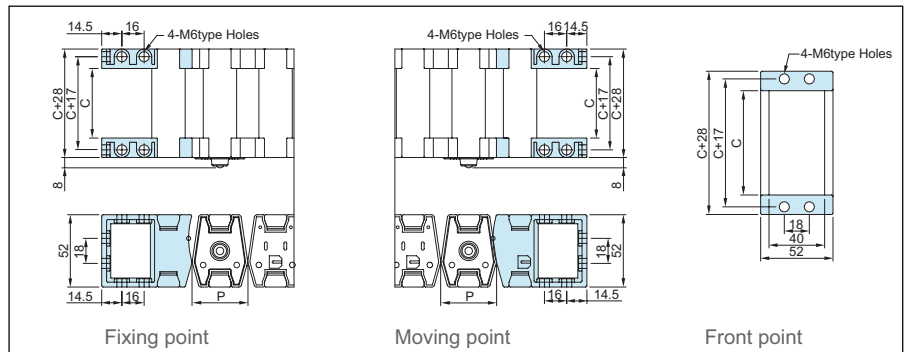
Chain Type	Pich	C
RV020CR .16	20	16
RV020CR .27	20	27
RV020CR .37	20	37
RV020CR .47	20	47
RV020CR .67	20	67
RV020CR .77	20	77



Chain Type	Pich	C
RV028CR .035	28	35
RV028CR .055	28	55
RV028CR .075	28	75
RV028CR .100	28	100
RV028CR .125	28	125



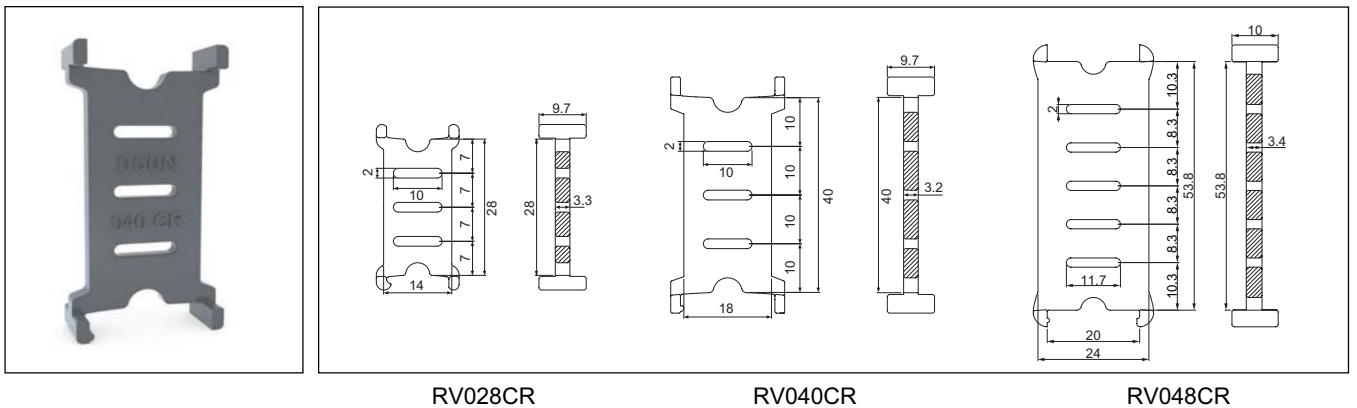
Chain Type	Pich	C
RV040CR .050	40	50
RV040CR .075	40	75
RV040CR .100	40	100
RV040CR .125	40	125
RV040CR .150	40	150
RV040CR .175	40	175
RV040CR .200	40	200



Chain Type	Pich	C
RV048CR .050	48	50
RV048CR .075	48	75
RV048CR .100	48	100
RV048CR .125	48	125
RV048CR .150	48	150
RV048CR .175	48	175
RV048CR .200	48	200



Divider Dimensions

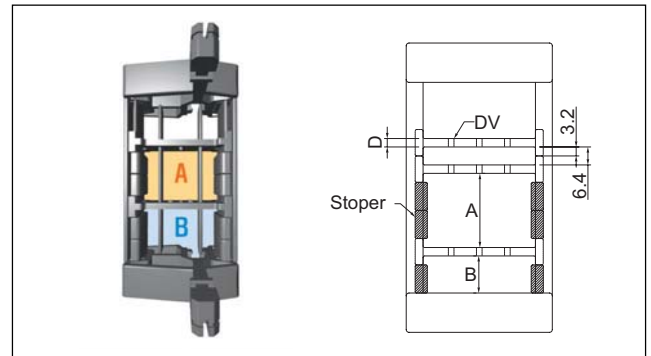


* RV020CR do not use divider.

Application method Stoper

Stoper can control the position and fixing the divider which settle inside of cable chain and it can be applied to the frame accordingly by the width.

$A = 6.4 + 10 \times \text{Stoper Q' ty}$
 $B = 3.2 + 10 \times \text{Stoper Q' ty}$
 D = RV028CR: 3.3mm
 RV040CR: 3.2mm
 RV048CR: 3.5mm



RV Chain Ordering

RV 040CR. 075. A / B₀ - 1000L : 10ST

